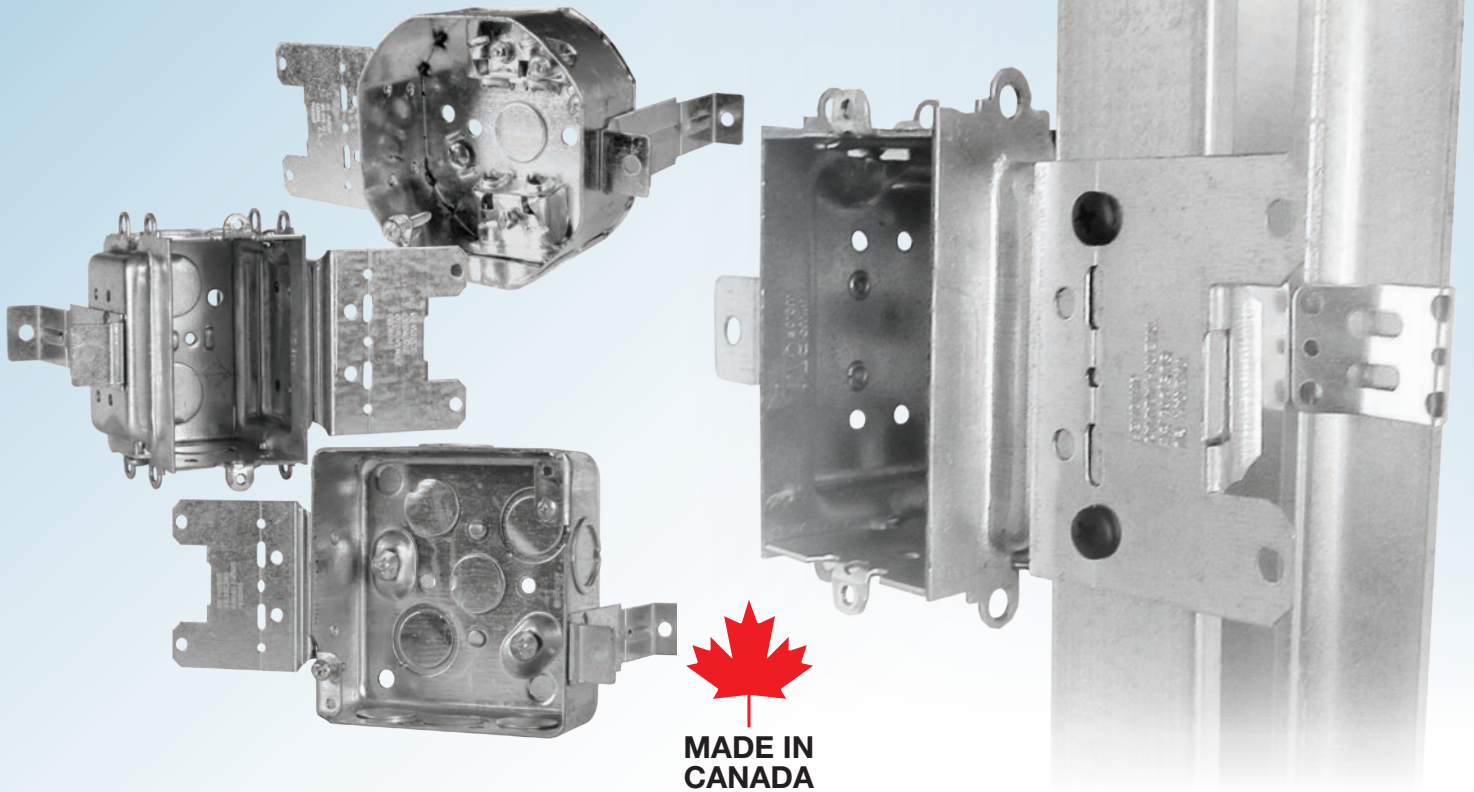


## Steel Stud Boxes

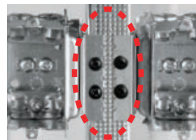


**MADE IN  
CANADA**

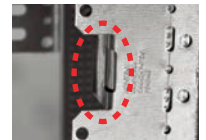
**tradeSELECT™** metallic outlet boxes provides the highest quality standards and a comprehensive product offering. **tradeSELECT™** steel stud boxes feature a unique adjustable mounting strap and clip-on tab that make these boxes simply the fastest and easiest boxes to install on any size of steel stud.

### FEATURES & BENEFITS

Breakaway front bracket clip provides side to side installation on steel stud for a quick and clean install. This feature eliminates the step of manually cutting the bracket.



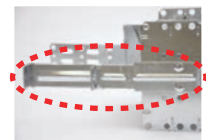
The mounting bracket is designed with a clip-on tab making it easier to position and hold the box in place.



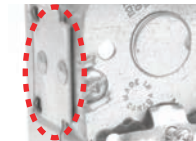
Universal cable clamps secure both non-metallic sheathed cable (NMD) and armoured cable (AC). No need to purchase more than one box.



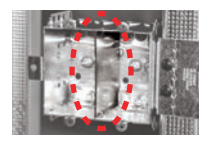
Provision for additional support is available for 6" steel studs with the foot extender #7902. Provides time savings and eliminates the need for other methods.



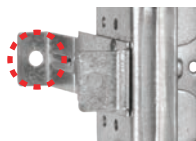
Multi-rievted brackets provide a secure connection resulting in a level installation every time.



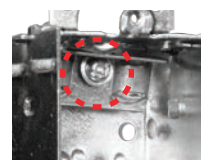
Precision welded, dividable multi-gang boxes offer a certified provision for a partition.



7/32 provision hole offers greater flexibility with additional option for extra support.

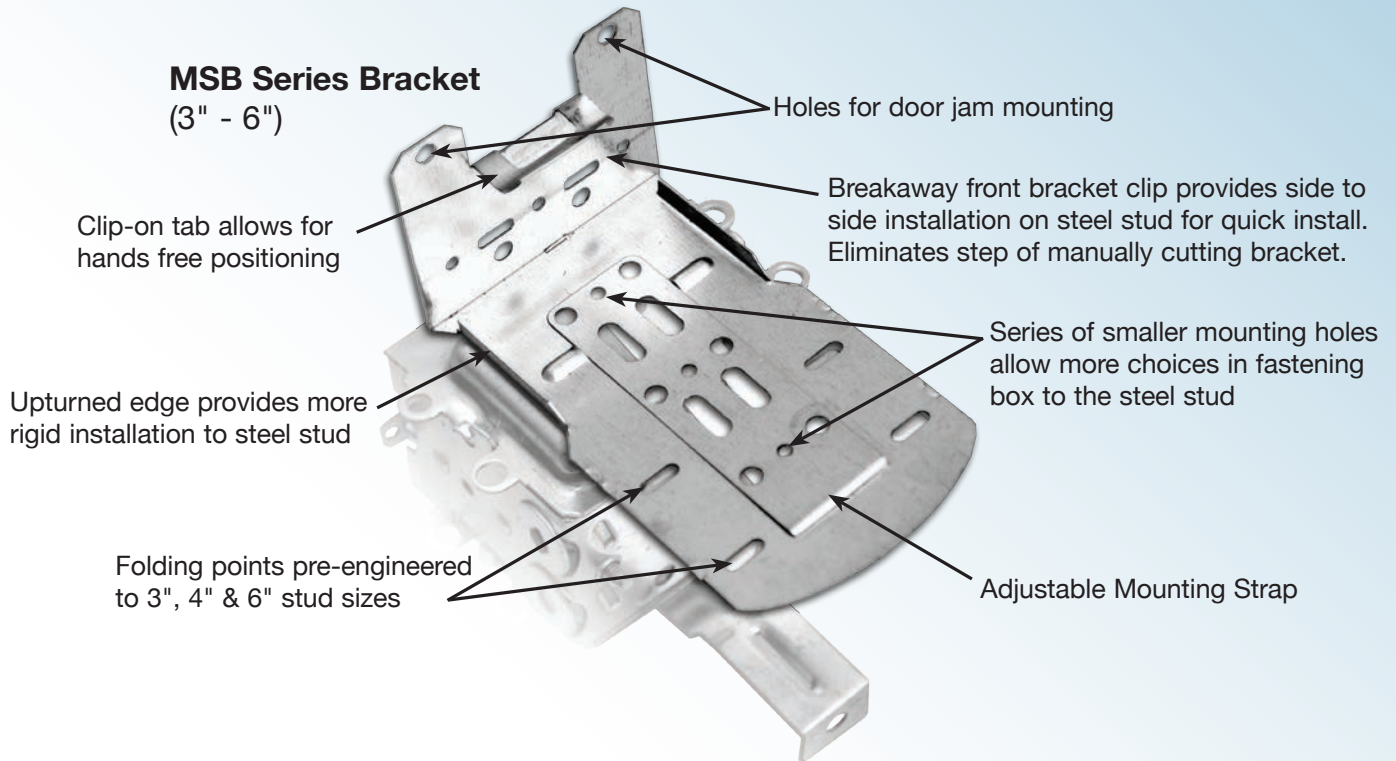


The captive screw allows the clamp to be raised simultaneously providing fast and easy installation.



## ADJUSTABLE MOUNTING STRAP

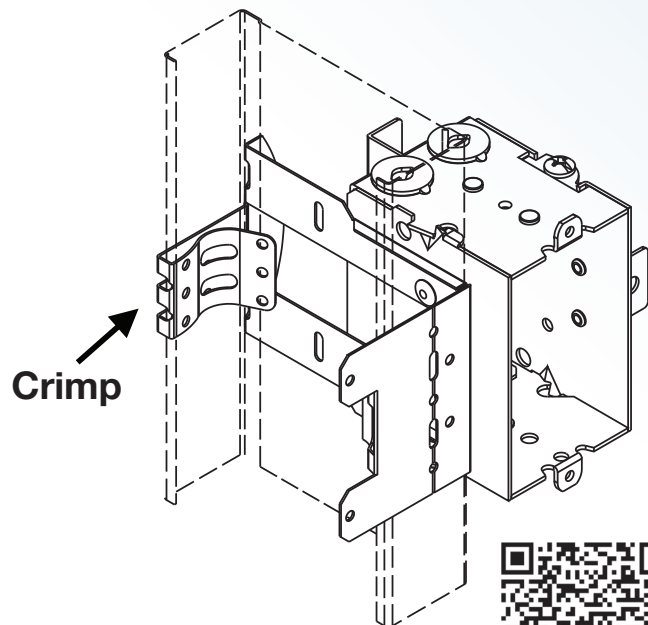
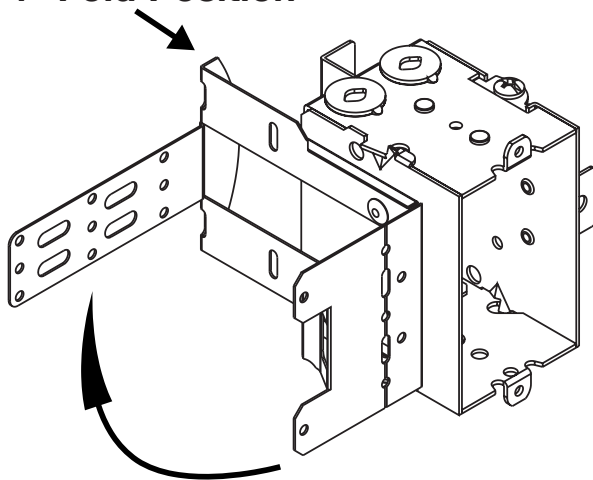
**tradeSELECT™** steel stud boxes feature a unique patented adjustable mounting strap and clip-on tab that makes it easier than ever to position and hold boxes in place.



Note: MSBS series bracket available for 1-5/8" - 2-5/8" applications.

## EASY TO INSTALL

### 4" Fold Position



MADE IN CANADA



FABRIQUÉ AU CANADA



**tradeSELECT™**

[www.hubbellonline.com/wiring](http://www.hubbellonline.com/wiring)

**HUBBELL**  
Hubbell Canada LP

